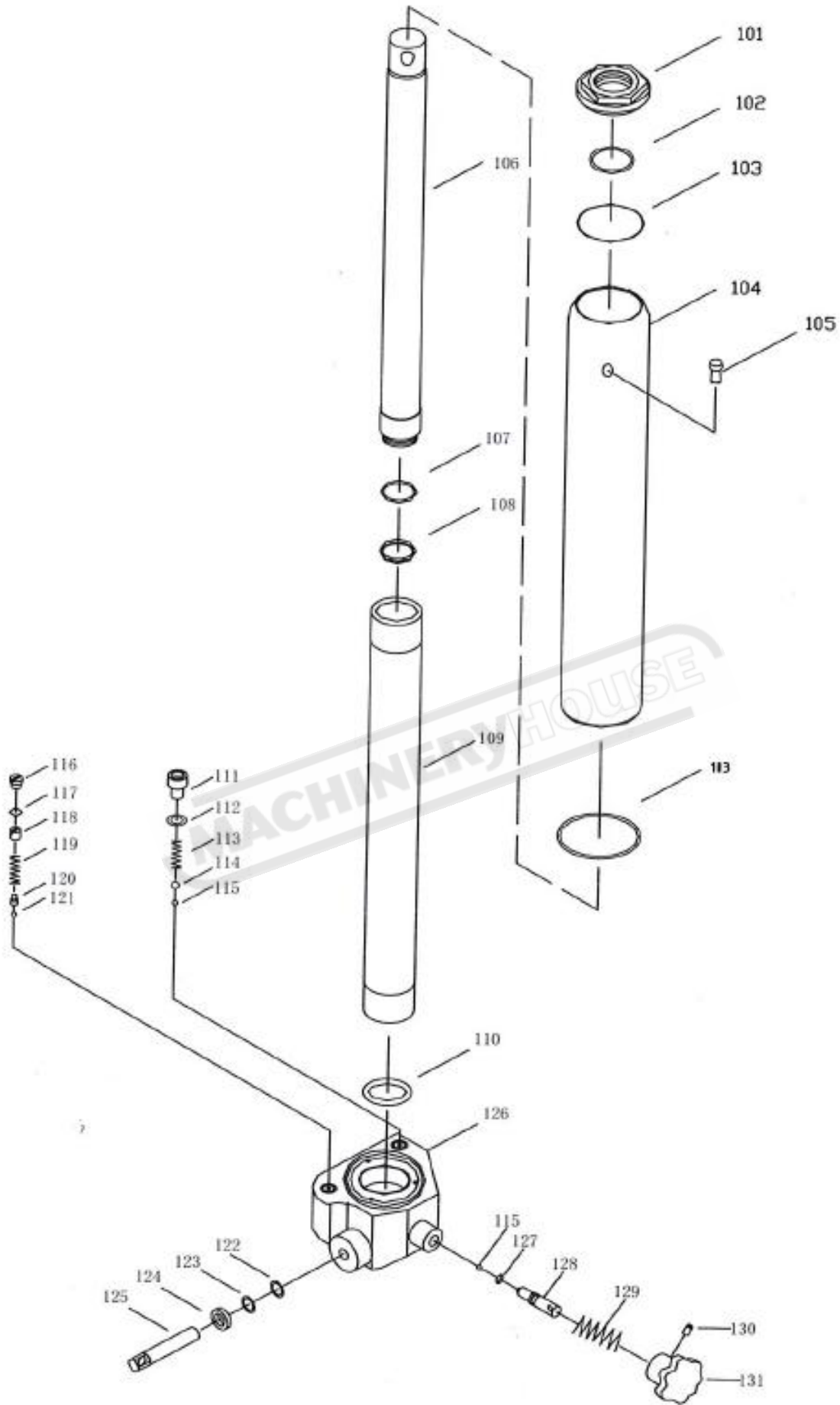


## Parts List

No	Description	Qt'y	No	Description	Qt'y
1	Nut	7	2	Washer	16
3	Pin	2	4	Front wheel	2
5	Base	1	6	Steering wheel	2
7	Washer	4	8	Screw	4
9	Nut	4	10	Spring Washer	4
11	Washer	10	12	Screw	4
13	Washer	2	14	Spring Washer	2
15	Screw	2	16	Support	2

17	Screw	1	18	Washer	2
19	Nut	1	20	Screw	1
21	Screw	2	22	Snap ring	4
23	Pin	1	24	Socket	1
25	Jack handle	1	26	Hand grip	3
27	Handle	1	28	Washer	2
29	Screw	2	30	Spring seat	1
31	Washer	2	32	Screw	2
33	Boom	1	34	Pin	1
35	Spring pin	1	36	Lifting arm	1
37	Nut	1	38	Screw	1
39	Washer	1	40	Pin	1
41	Nut	1	42	Hook seat	1
43	Hook bolt	1	44	Spring	1
45	Ball	12	46	Screw	1
47	Hook	1	48	Latch	1
49	Spring	1	50	Pin	1
51	Ram assembly	1	52	Spacer	2
53	Linkage	1	54	Pin	1
55	Pin	1	56	Pin	1
57	Snap ring	4	58	Post	1



## Parts List (Ram assembly)

No	Description	Qt'y	No	Description	Qt'y
101	Cylinder Head	1	102*	O-Ring	1
103*	Square-Ring	2	104	Reservoir	1
105*	Oil Plug	1	106	Piston Rod	1
107*	O-Ring Retaining	1	108*	O-Ring	1
109	Cylinder	1	110*	Washer	1
111	Screw	1	112*	Washer	1
113	Spring	1	114	Ball	1
115	Ball	2	116	Screw	1
117*	Washer	1	118	Screw	1
119	Spring	1	120	Seat	1
121	Ball	1	122*	O-Ring	1
123*	Scraper Ring	1	124*	Snap Ring	1
125	Pump	1	126	Valve Block	1
127*	O-Ring	1	128	Release Indicator	1
129	Spring	1	130	Screw	1
131	Release Knob	1			
*Included in the repair kit					

MACHINERYHOUSE

**VERSION TWO**